



**WESTERN STAR 6900 – XD40 OFFROAD**  
Summit Truck Equipment ESMC 40  
40-Ton Fuel and Lube Body



7628 Brighton Road | Commerce City, CO 80022 USA  
Ph: 866-789-5537 | Fax: 303-289-5731  
[www.summitbodies.com](http://www.summitbodies.com)





WESTERN STAR 6900 – XD40 OFFROAD  
SUMMIT TRUCK EQUIPMENT ESMC 40  
40-TON FUEL AND LUBE BODY

## SIMPLE AND RELIABLE. EXACTLY WHAT YOU NEED IN A SERVICE TRUCK.

Summit Truck Bodies has a long-standing tradition of manufacturing high-quality, custom-designed bodies that deliver the peace of mind, making the ESMC a perfect match for the Western Star 6900 XD40 Offroad package. They each offer custom-built quality that's specifically designed for the customer to ensure complete satisfaction through guaranteed usability, longevity and exceptional design. Plus, the Western Star XD40 chassis offers a very price-competitive alternative to more expensive articulated units and will give the customer a lower operating costs and fuel consumption over the life of the product.





WESTERN STAR 6900 – XD40 OFFROAD  
 SUMMIT TRUCK EQUIPMENT ESMC 40  
 40-TON FUEL AND LUBE BODY

**FEATURES & BENEFITS: CHASSIS**

**WESTERN STAR XD40  
 OFFROAD CHASSIS**

**PROVEN DURABILITY MEANS  
 GREATER PRODUCTIVITY.**

Western Star has been building rugged, hard-working equipment since 1967. And the result of this work is the XD Offroad package. The extreme-duty XD Offroad delivers a dependable and affordable option to the more costly rigid and articulated trucks with a selection of features to maximize uptime and profitability.

FEATURES:	BENEFITS:
<b>REDUCED MAINTENANCE TIME</b>	
Steel, butterfly hood	Quick fluid checks and long life
Fender and air cleaner disconnect system	Quick and easy engine access
Planetary gear sets	Manage massive loads while remaining easy to work on
Available central lube and other time saving systems	Reduced maintenance time
<b>INCREASED UPTIME</b>	
Large copper-brass radiator	Excellent cooling and in-field reparability
Shock-mounted radiator	Reduced downtime and repairs
Point-to-point electrical system with in-cab fuse panels	Quicker diagnosis and repair
Steel chassis wiring standoffs	Quicker circuit tracing and repair





WESTERN STAR 6900 – XD40 OFFROAD  
SUMMIT TRUCK EQUIPMENT ESMC 40  
40-TON FUEL AND LUBE BODY

**FEATURES & BENEFITS: CHASSIS**

**WESTERN STAR XD40  
OFFROAD CHASSIS**

**FEATURES:**

**BENEFITS:**

**ADDED SAFETY**

Standard or wide-track axles

Creates an extremely low center of gravity unit, further reducing rollover potential and improving driver safety during operations

**UNMATCHED POWER**

Detroit™ DD16® engine

GHG 14 certified engine to help you comply with green initiatives or government regulations while maximizing fuel efficiency

Detroit™ Series 60® Tier III engine

An off-road engine that eliminates the need for EGR or DEF requirements





WESTERN STAR 6900 – XD40 OFFROAD  
 SUMMIT TRUCK EQUIPMENT ESMC 40  
 40-TON FUEL AND LUBE BODY

**FEATURES & BENEFITS: BODY**

**DURABLE, HIGH-QUALITY DESIGNS  
 BUILT TO LAST.**

**SUMMIT TRUCK  
 FUEL & LUBE BODY**

Summit heavy-duty lube bodies are designed for many years of service in the most demanding conditions. Available in open or enclosed models to suit your application, Summit bodies offer a number of features to boost your profitability.

FEATURES:	BENEFITS:
<b>PROVEN DESIGN</b>	
Dedicated chassis	Chassis unit designed specifically for longer service life in the mine, eliminating the need to transfer from chassis to chassis
Rugged mounting system	Ensures long life and body rigidity for more strength and safety
Stainless steel tanks	Prevents rust and increase the life of the body
<b>MAXIMUM PAYLOAD</b>	
Force America hydro cool reservoir	Uses less hydraulic fluid to operate the system allowing you maximum payload capacity
<b>IMPROVED UPTIME</b>	
Load-sensing hydraulic-driven lube system	Combined with an efficient fuel delivery to get your haul units up and running quickly

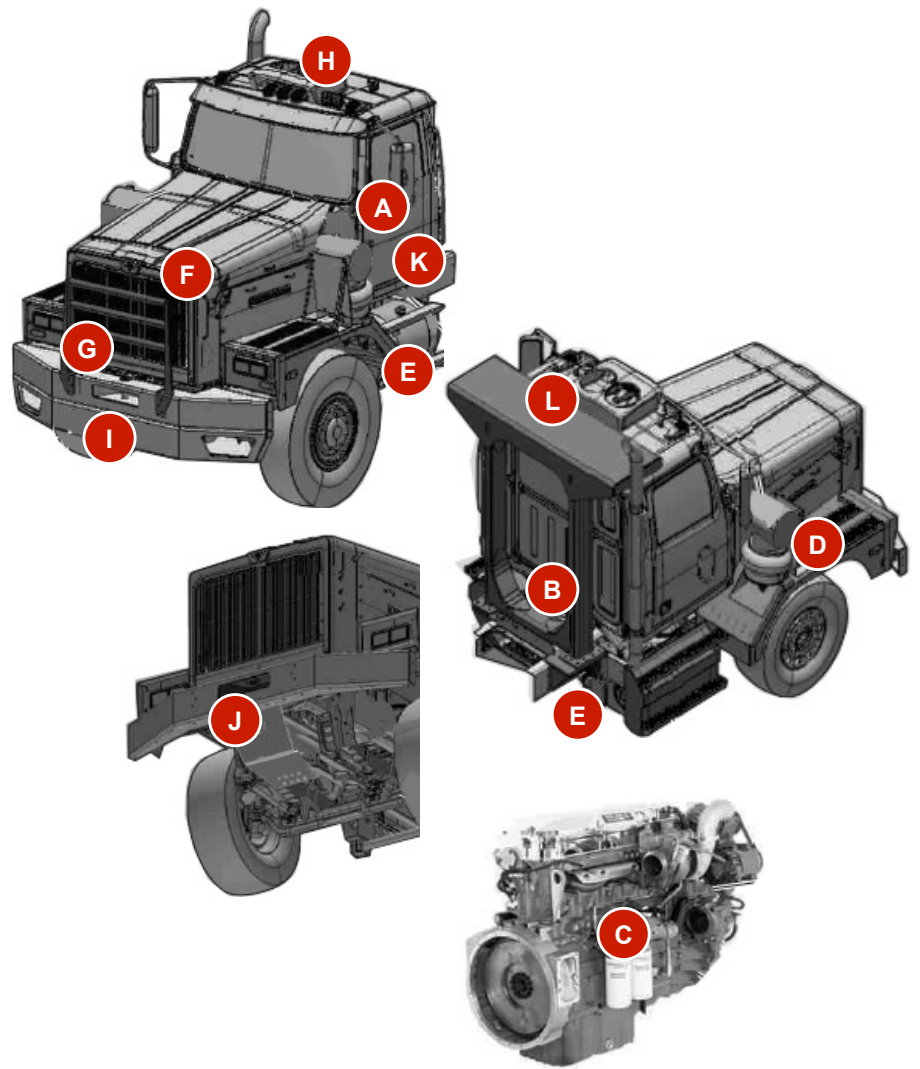




**WESTERN STAR 6900 – XD40 OFFROAD  
SUMMIT TRUCK EQUIPMENT ESCM 40  
40-TON FUEL AND LUBE BODY**

**TECH SPECS: CHASSIS**

ITEM	KEY	STANDARD	OPTIONAL
A	All-steel cab with Severe Duty reinforcement package for long service life and added driver safety	•	
B	Dual heavy-duty air rear cab mounts and Extreme Duty top mount front cab crossmember provides driver comfort and cab durability	•	
C	Detroit™ Series 60® Tier III engine with no EGR or DEF system requirements available for offroad only applications eliminates exhaust regen and requirements	•	
	Detroit™ Series 60® Tier III engine with no EGR or DEF system requirements available for offroad only with FEPTO and full frame front extension		•
	Detroit™ DD15®/DD16® GHG 17 engine with up to 600HP and 2250 torque ratings, standard with EGR or DEF systems		•
D	Dual 14-inch Donaldson outside air cleaners	•	
	Dual Donaldson STG Donaclone™ two-stage air cleaner for maximum dust filtration and long filter life (available with butterfly hood only)		•
E	Long-life steel fuel hydraulic tanks equipped with Extreme Duty heavy steel tank supports	•	
F	Steel fender butterfly hood with shock mounted radiator designed for long life and safe engine access	•	
G	Durable, extra-capacity Glacier Core copper brass radiator for durability and easy on-site field repairs	•	
H	Roof-mounted AC condenser for maximum cooling and comfort in dusty conditions	•	
I	11-inch single heavy-duty steel bumper with integral removable tow pin	•	
	22-inch double Extreme Duty steel bumper with radiator protector and integral removable tow pin		•
J	Front oil cooler pan for engine and transmission cooler protection	•	
	Extreme Duty front skid pan for maximum protection		•
K	Click to start seat belt ensure drivers are safe before moving		•
L	Certified ROPS and FOPS systems available		•

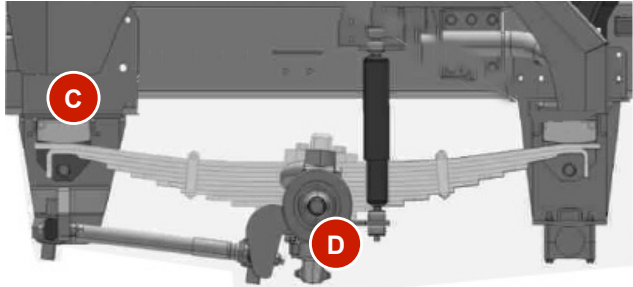
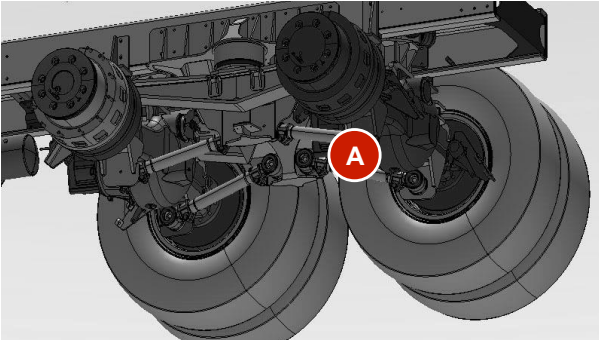
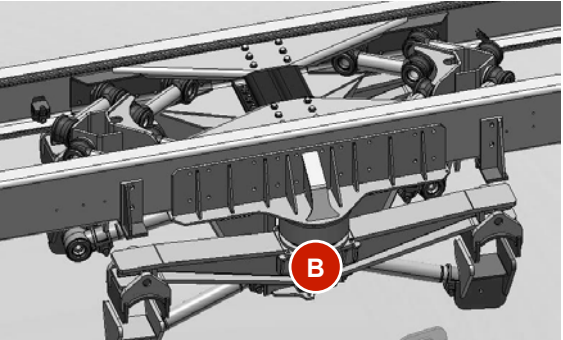
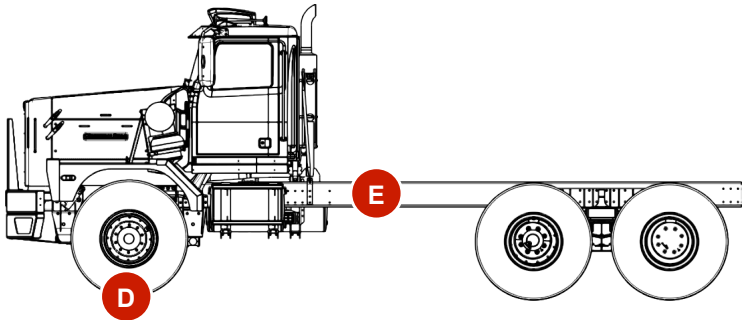




**WESTERN STAR 6900 – XD40 OFFROAD  
SUMMIT TRUCK EQUIPMENT ESMC 40  
40-TON FUEL AND LUBE BODY**

**TECH SPECS: CHASSIS**

ITEM	KEY	STANDARD	OPTIONAL
A	AxleTech SPRC1927 110,000 lb planetary tandem rear axle	•	
B	Chalmers 865 11,000 lb rear suspension	•	
	Hendrickson R1000 110,000 lb rear suspension		•
C	28,000 lb double slippered rear suspension. Torque rod controlled axle offering maximum load capacity and long spring life in rough road conditions	•	
D	SISU FSND12G 28,000 lb single front steer axle	•	
	PSC-826 24,000 lb (10.9 MT) planetary single front drive axle		•
E	Quadruple-channel frame rails with 6.7MM RBM load capacity		•





**WESTERN STAR 6900 – XD40 OFFROAD  
SUMMIT TRUCK EQUIPMENT ESMC 40  
40-TON FUEL AND LUBE BODY**

**TECH SPECS: BODY**

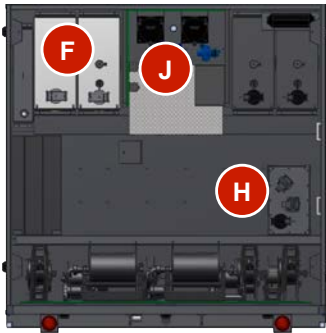
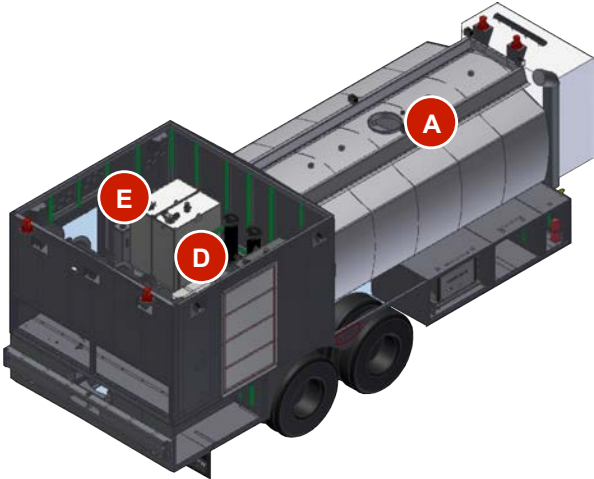
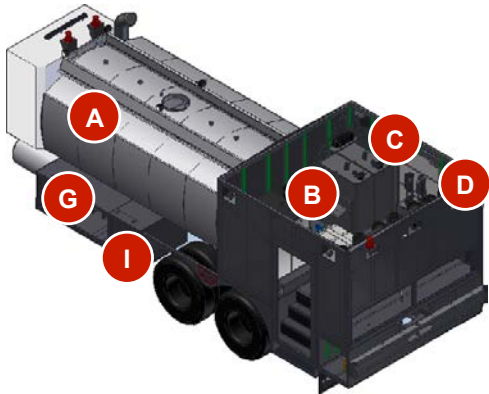
ITEM	DESCRIPTION	IMPERIAL	METRIC	STANDARD	OPTIONAL
------	-------------	----------	--------	----------	----------

**TANK CAPACITIES**

MATERIAL CAPACITY	A	Diesel Fuel	18 927 l	5000 gal	•	
	B	New Hydraulic Oil	1360 l	150 gal	•	
	C	Oil #1	910 l	150 gal	•	
		Oil #2	910 l	150 gal	•	
	D	DEF	910 l	150 gal	•	
	E	A/F	567 l	150 gal	•	
	F	Grease	208 l	55 gal	•	

**HYDRAULICS**

HYDRAULICS	G	Muncie air operated power take-off and parking brake interface		•	
	H	Single load sense hydraulic pump w/ LS control valve in rear compartment		•	
	I	4-inch fast fill fuel system			•
	J	Two (2) hydraulically driven 2.5-inch Blackmer vane pumps (120 gpm fuel delivery)		•	







**WESTERN STAR 6900 – XD40 OFFROAD  
SUMMIT TRUCK EQUIPMENT ESMC 40  
40-TON FUEL AND LUBE BODY**

**TECH SPECS: BODY**

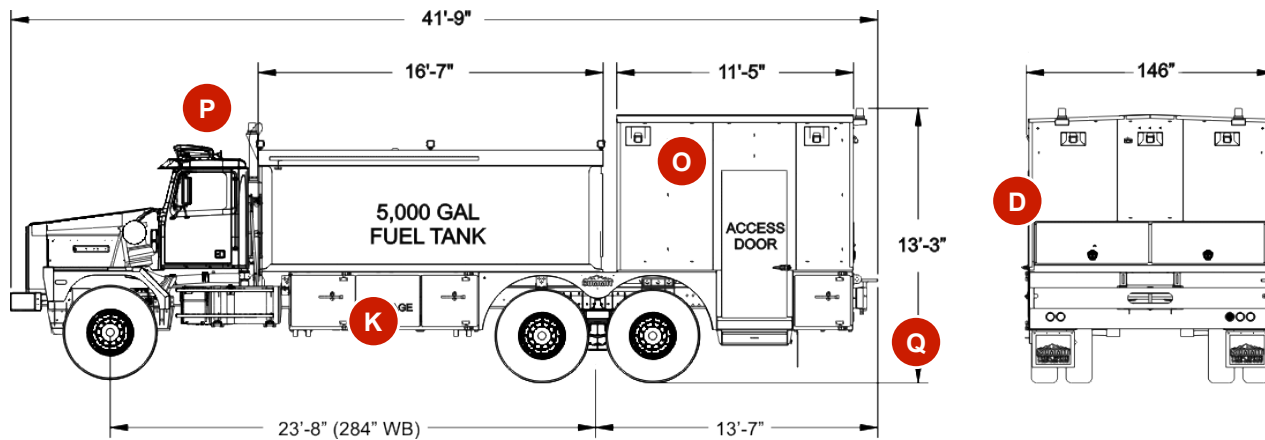
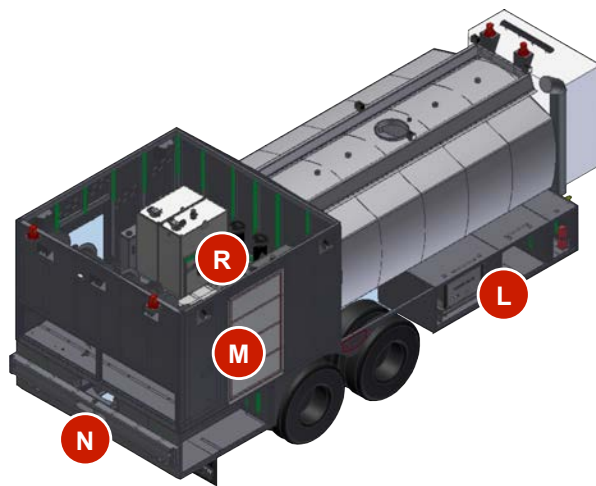
ITEM	DESCRIPTION
------	-------------

**BODY STORAGE**

STORAGE	DESCRIPTION
K	Three (3) vented driver side diesel delivery storage compartments with cam lock and lights
L	Three (3) passenger driver side diesel delivery storage compartments with cam lock and lights
M	Hydraulically driven air compressor Vanair 40 CFM air compressor
N	HD rear push bumper

**LIGHTING PACKAGES**

LIGHTING ELECTRICAL	DESCRIPTION
O	Flush mount LED light package with (12) outside work lights and light bar
P	Strobe/hazard lights
Q	Backup camera system
R	Battery charger one (1) Xantrex Truecharge 40 amp charger





---

**Summit Truck Equipment**  
7628 Brighton Road  
Commerce City, CO 80022

**Ph:** 866-739-5537  
**Fax:** 303-289-5731

[www.summitbodies.com](http://www.summitbodies.com)



---

**Western Star Trucks**  
Customer Assistance Center

**Ph:** 866-850-STAR  
(866-851-7827)