



**WESTERN STAR 6900 – XD40 OFFROAD TRACTOR**  
SmithCo DT-150  
150-Ton Double Tip Side Dump Trailer



30902 C38 | PO Box 932 | Le Mars, IA 51031 USA  
Ph: 800-779-8099  
[www.sidedump.com](http://www.sidedump.com)





**WESTERN STAR 6900 – XD40 OFFROAD TRACTOR**  
SmithCo DT-150  
150-Ton Double Tip Side Dump Trailer

## THE PACKAGE DESIGNED FOR MINING AND OFFROAD HAULING.

You haul the products of the earth and take them where they need to go. And to do this, your drivers work long hours, every day, in all types of conditions. For this kind of work, you need to be sure that your equipment can meet the demands. There's no better match for this than a Western Star XD40 Offroad tractor paired with SmithCo DT-150 trailers.

Both are proven for these environments and built with the extreme-duty, high-quality materials and components that ensures they'll be ready to work as hard as you do. Even better, when you have multiple XD40/DT-150 packages, trucks and trailers can be rearranged with other units for scheduled maintenance or repairs to maximize productivity and keep operations running smoothly.





**FEATURES & BENEFITS: TRACTOR**

**WESTERN STAR XD40  
 OFFROAD TRACTOR**

**PROVEN DURABILITY MEANS  
 GREATER PRODUCTIVITY.**

Western Star has been building rugged, hard-working equipment since 1967. And the result of this work is the XD Offroad package. The extreme-duty XD Offroad delivers a dependable and affordable option to the more costly haul trucks with a selection of features to maximize uptime and profitability. With optional configurations including all-wheel-drive (6x6) and right-hand drive for export applications, the 6900 XD40 is a solution for nearly any worksite requirement.

FEATURES:	BENEFITS:
<b>REDUCED MAINTENANCE TIME</b>	
Steel, butterfly hood	Quick fluid checks and long life
Fender and air cleaner disconnect system	Quick and easy engine access
Planetary gear sets	Manage massive loads while remaining easy to work on
Available central lube and other time saving systems	Reduced maintenance time
<b>INCREASED UPTIME</b>	
Large copper-brass radiator	Excellent cooling and in-field reparability
Shock-mounted radiator	Reduced downtime and repairs
Point-to-point electrical system with in-cab fuse panels	Quicker diagnosis and repair
Steel chassis wiring standoffs	Quicker circuit tracing and repair





WESTERN STAR 6900 – XD40 OFFROAD TRACTOR  
SmithCo DT-150  
150-Ton Double Tip Side Dump Trailer

FEATURES & BENEFITS: TRACTOR

WESTERN STAR XD40  
OFFROAD TRACTOR

FEATURES:

IMPROVED PROFITABILITY

Low initial purchase price

Up to 35 percent more fuel efficient traditional offroad haulers on distances greater than one mile

Stable at loaded speeds greater than 40 MPH

Can be configured to haul other support trailer units

BENEFITS:

Greater haul capacity for less investment

Reduced fuel costs

Faster turn times

Round-the-clock operation and reduced overhead

ADDED SAFETY

Heavy-duty driveline retarders

Handle steeper grade applications and provide operators with safe and effective braking capability that saves standard brakes for emergency use only

UNMATCHED POWER

Detroit™ engine options

Give the tractor application the power to haul up to 70 metric tons as a single side dump trailer or up to 120 metric tons for large equipment transport applications





FEATURES & BENEFITS: TRAILER

SMITHCO DT-150

MORE PROFITS AND GREATER DURABILITY.

SmithCo DT-150 MINE series trailers are offroad, heavy haul units that are built to be used specifically for that. To handle the demands, DT-150 MINE trailers are built larger and stronger than traditional haul trailers, supporting payload capacities of up to 75 tons per trailer. And with the DT-150 units working together behind a Western Star XD40 offroad tractor, you can efficiently carry your loads on construction and mine sites.

FEATURES:	BENEFITS:
<b>GREATER CAPACITY</b>	
Up to 75 tons per trailer	Fewer trips results in greater fuel economy
Numerous axle configurations	Build to your load requirements, reducing number of trips
<b>INCREASED DURABILITY</b>	
Fully welded construction	Holds firmly together through all of your toughest tasks, reducing repair and replacement costs
One-piece round bottom tub	Successfully releases the load time after time, without the build-up associated with flat bottom or wedge style side dump trailers

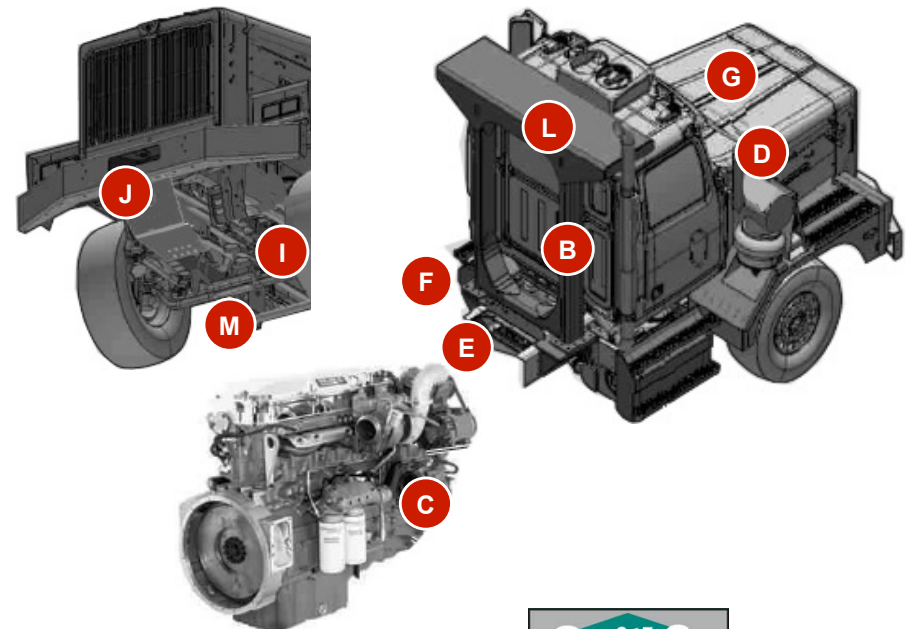
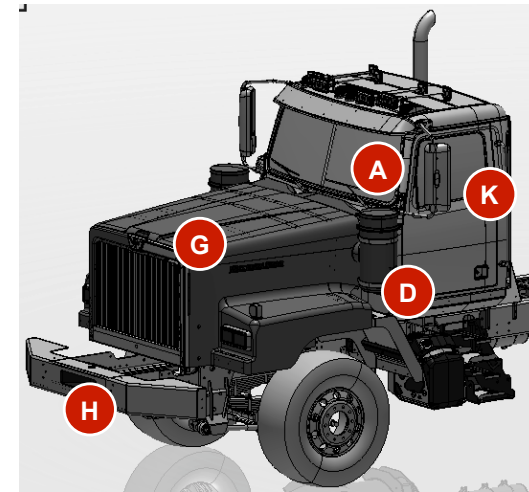




**WESTERN STAR 6900 – XD40 OFFROAD TRACTOR**  
 SmithCo DT-150  
 150-Ton Double Tip Side Dump Trailer

**TECH SPECS: TRACTOR**

ITEM	KEY	STANDARD	OPTIONAL
A	All-steel cab with Severe Duty reinforcement package for long service life and added driver safety	•	
B	Dual heavy-duty air rear cab mounts and Extreme Duty top mount front cab crossmember provides driver comfort and cab durability	•	
C	Detroit™ Series 60® Tier III engine with no EGR or DEF system requirements available for offroad only applications eliminates exhaust regen and DEF 14.7L requirements	•	
	Detroit™ DD15®/DD16® GHG 17 engine with up to 600HP and 2050 torque ratings, standard with EGR or DEF systems		•
D	Dual 14-inch Donaldson outside air cleaners	•	
	Dual Donaldson STG Donaclone™ two-stage air cleaner for maximum dust filtration and long filter life (available with butterfly hood only)		•
E	Capacity for four (4) frame rails with 6.7MM RBM load capacity		•
F	Long-life steel fuel hydraulic tanks equipped with Extreme Duty heavy steel tank supports	•	
G	Steel fender butterfly hood with shock mounted radiator designed for long life and safe engine access	•	
H	11-inch single heavy-duty steel bumper with integral removable tow pin	•	
	22-inch double Extreme Duty steel bumper with radiator protector and integral removable tow pin		•
I	Double slipper front suspension system provides maximum load capacity with smooth ride and handling in rough road conditions	•	
J	Rugged front skid pan for engine and transmission cooler protection	•	
K	Click to start seat belt ensure drivers are safe before moving		•
L	Certified ROPS and FOPS systems available		•
M	Chassis component skid guards to protect drive line components		•



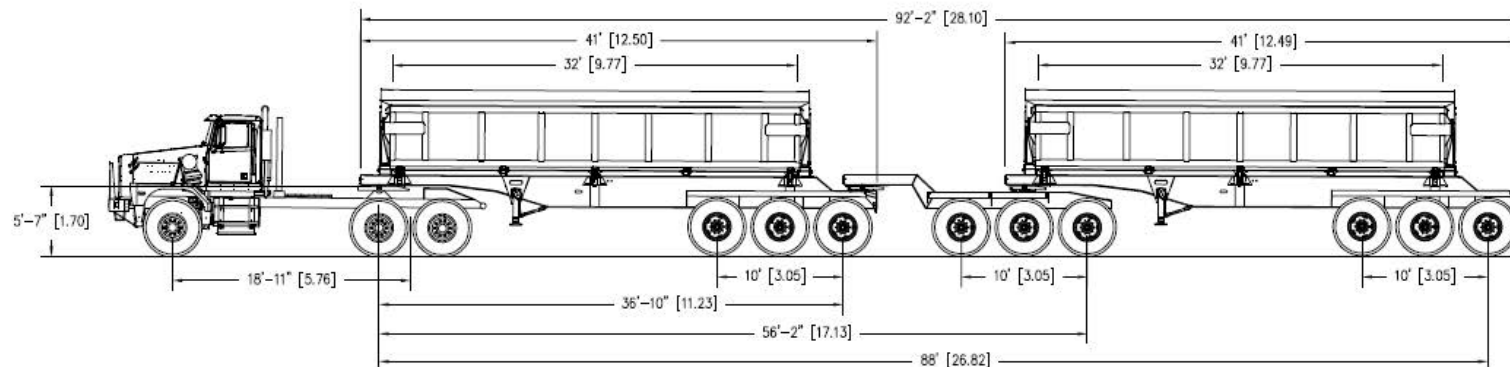
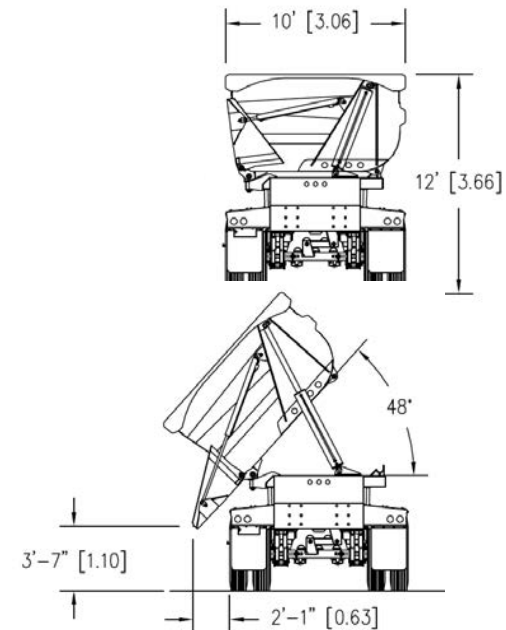


**WESTERN STAR 6900 – XD40 OFFROAD TRACTOR**  
 SmithCo DT-150  
 150-Ton Double Tip Side Dump Trailer

**TECH SPECS: TRAILER**

DESCRIPTION	IMPERIAL	METRIC
<b>SMITHCO MINE SERIES SIDE-DUMP TRAILERS</b>		
Total combined Trailer Frame Length	92'-2"	28 090 mm
Trailer Frame Length	41'-0"	12 496 mm
Combined Trailer Capacity	165 tons	150 tonnes
Single trailer Struck Load Capacity	39 cu yd	28.1 m <sup>3</sup>
Single Trailer Heaped Load Capacity	45.1 cu yd	34.5 m <sup>3</sup>
Overall Width 10'-0"	10'-0"	3,048 mm
Overall Height 12'-6"	12'-0"	3,657 mm

**MATERIAL CAPACITY**



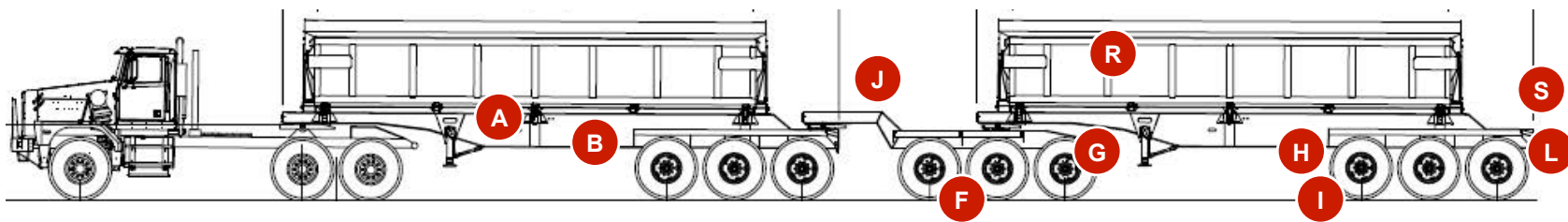


**WESTERN STAR 6900 – XD40 OFFROAD TRACTOR**  
 SmithCo DT-150  
 150-Ton Double Tip Side Dump Trailer

**TECH SPECS: TRAILER**

ITEM	STANDARD FEATURES
A	Tub floor 3/8-inch AR400 steel (or equivalent)
B	Frame construction: 80/100 KSI fabricated steel I-beam
C	Landing gear HD load bearing
D	Two-speed Mark V cylinders 3000 psi 7-inch bore (2)
E	Suspensions: 40,000 lb air ride (9)
F	Axles: 40,000 lb capacity (9)
G	Hubs: 10-hole hub piloted
H	Drums: outboard mount cast steel
I	Wheels: steel disc, 24 (36) 12.00 X 24 (36)
J	3 1/2-inch king pins and fifth wheels
K	Fenders: front and rear sloping steel
L	Lights: 12v LED w/sealed harnesses
M	Mud flaps: polyline anti-spray splash
N	Paint prep: shot blast and polyurethane primer and paint
O	Tub paint: SmithCo yellow
P	Frame paint: SmithCo grey

ITEM	OPTIONAL PACKAGES
Q	Auto-lube system
R	UHMW tub lining
S	Pup trailer bumper (48-inch bolt on)
T	Jost landing legs
U	Tub paint: customer specified color







---

**SmithCo Side-Dump Trailers**

30902 C38  
PO Box 932  
Le Mars, Iowa 51031

**Ph:** 800-779-8099

[www.sidedump.com](http://www.sidedump.com)



**WESTERN STAR**

---

**Western Star Trucks**

Customer Assistance Center

**Ph:** 866-850-STAR  
(866-851-7827)