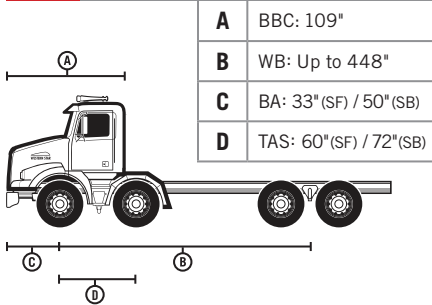


TWIN STEER



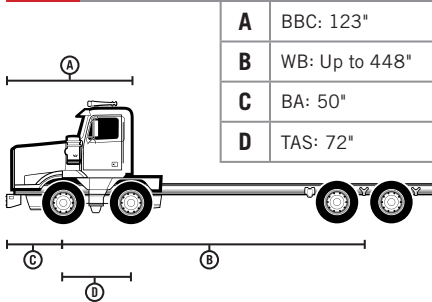
4800

TS TWIN STEER



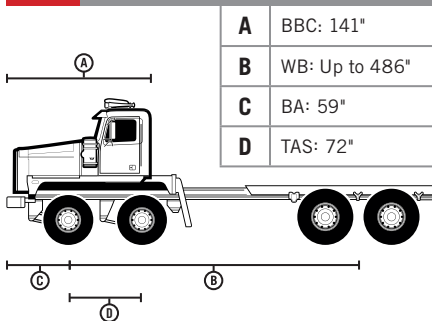
4900

TS TWIN STEER



6900

TS TWIN STEER



Construction sites. Oilfields. Mines. Heavy hauls.

Western Star Twin Steers are right at home on demanding job sites. Engineered for increased maneuverability and improved ride without compromising load rating, there is no better choice for tough jobs than the Twin Steer options you'll find right here.

CAB TYPE

Severe Duty galvanized steel with bonded windshield

HOOD TYPE

4800TS Set Forward Axle
Fiberglass traditional non-sloping hood

4800TS Set Back Axle
Supervisibility fiberglass hood

4900TS Set Back Axle
Fiberglass traditional non-sloping hood

6900TS Set Back Axle
Fiberglass hood with LH and RH full-length butterfly openings

ENGINE

4800TS
Detroit™ DD13® 12.8L, 350-505HP, 1250-1850lb-ft.

4900TS
Detroit™ DD15® 14.8L, 455-505HP, 1550-1750lb-ft.

Detroit™ DD16® 15.6L, 500-600HP, 1850-2050lb-ft.

Cummins X15, 15.0L, 400-605HP, 1450-2050lb-ft.

6900TS
Detroit™ DD15® 14.8L, 455-505HP, 1550-1750lb-ft.

Detroit™ DD16® 15.6L, 500-600HP, 1850-2050lb-ft.

TRANSMISSION

4800TS Set Back Axle
Eaton Fuller Manual
Eaton Fuller UltraShift Plus
Allison Automatic

4800TS Set Forward Axle
Eaton Fuller Manual

4900TS
Eaton Fuller Manual
Allison Automatic

6900TS
Eaton Fuller Manual
Allison Automatic

EXHAUST

4800TS Set Forward Axle
RH outboard frame-mounted vertical

4800TS Set Back Axle
RH outboard frame-mounted vertical
RH mid-chassis-mounted horizontal

4900TS
RH outboard frame-mounted vertical
RH mid-chassis-mounted horizontal

6900TS
RH outboard mid-chassis-mounted horizontal

STEERING

4800TS Set Forward Axle
Single main gear with dual auxiliary gears

4800TS Set Back Axle
Dual main gears with dual ram assist

4900TS
Dual main gears with dual ram assist

6900TS
Dual main gears with dual auxiliary gears

FRONT AXLE

4800TS Set Forward Axle
Tandem 40,000 lbs

4800TS Set Back Axle
Tandem 40,000 lbs

4900TS
Tandem 40,000-44,000 lbs

6900TS
Tandem 44,000 lbs

REAR AXLE

4800TS
Tandem 46,000-52,000 lbs
Tridem 69,000 lbs

4900TS
Tandem 46,000-70,000 lbs
Tridem 69,000 lbs

6900TS
Tandem 70,000-110,000 lbs
Tridem 69,000 lbs

FRONT SUSPENSION

4800TS

Flatleaf 40,000 lbs

4900TS

Slipper 36,000, 40,000 and 44,000 lbs

6900TS

Slipper 36,000 and 40,000 lbs

REAR SUSPENSION

4800TS

Tandem 46,000-52,000 lbs

Tridem air ride 69,000 lbs

4900TS

Tandem 46,000-65,000 lbs

Tridem air ride 69,000 lbs

6900TS

Tandem 65,000-110,000 lbs

Tridem air ride 69,000 lbs

FRAME

4800TS Set Forward Axle

Double-channel @ 3.2MM RBM and 4.5MM RBM

4800TS Set Back Axle

Single-channel @ 2.5MM RBM

Double-channel @ 3.2MM RBM and 4.5MM RBM

4900TS

Double-channel @ 3.2MM RBM and 4.5MM RBM

6900TS

Double-channel @ 3.2MM RBM and 4.5MM RBM

Triple-channel @ 5.6MM RBM

FUEL TANK

4800TS/4900TS

Aluminum 25" cylindrical 60-150 gallon (227-567 liter) RH or LH

6900TS

100-150 gallon (378-567 liter) aluminum – RH

100-150 gallon (378-567 liter) aluminum – LH

90-120 gallon (340-453 liter) steel – RH

90-120 gallon (340-453 liter) steel – LH

DEF TANK

23 gallon (87 liter)



WESTERN STAR

For the Western Star dealer nearest you, call 1-866-850-STAR | WESTERNSTAR.COM



**HAND BUILT
IN THE USA**
Cleveland, NC
Portland, OR

WS/MC-DT-545. Specifications are subject to change without notice. Western Star Truck Sales, Inc. is registered to ISO 9001:2008 and ISO 14001:2004. Copyright © 2018 Daimler Trucks North America LLC. All rights reserved. Western Star Truck Sales, Inc. is a subsidiary of Daimler Trucks North America LLC, a Daimler company.

DAIMLER | Western Star - A Daimler Group Brand